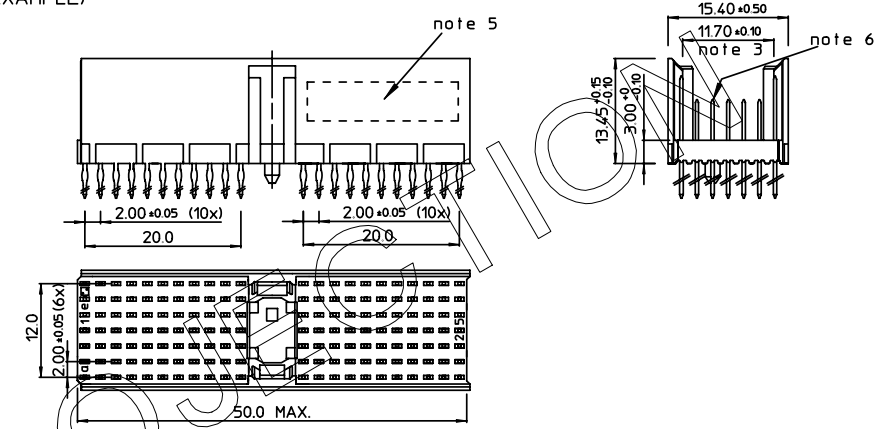


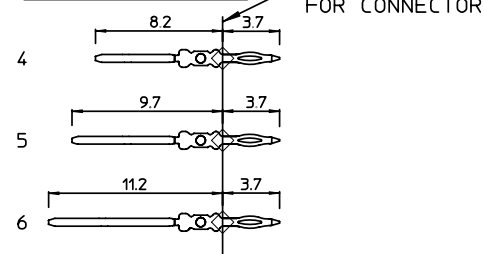
LOADING PATTERN MATING SIDE

f	6	6	6	6	6	6	6	6	6		6	6	6	6	6	6	6	6	6	6	
e	5	4	5	4	5	5	5	5	5		5	5	5	5	5	5	5	5	5	4	4
d	5	5	5	5	5	5	5	5	5		5	5	5	5	5	5	5	5	5	5	5
c	5	5	5	5	5	5	5	5	5		5	5	5	5	5	5	5	5	5	5	5
b	5	5	5	5	5	5	5	5	5		5	5	5	5	5	5	5	5	5	5	5
a	5	5	5	5	5	5	5	5	5		5	5	5	5	5	5	5	5	5	5	5
z	6	6	6	6	6	6	6	6	6		6	6	6	6	6	6	6	6	6	6	6
POS	0										1										
	1										5										
											0										
											1										
											5										
											0										

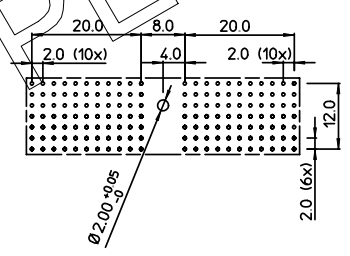
LOADED CONNECTOR ASSEMBLY (FOR EXAMPLE)



CONTACT OVERVIEW SEATING PLANE FOR CONNECTOR



LAY-OUT P.C.B.-HOLE



HM2P07PDT231 LEAD FREE INDICATOR : LF = LEAD FREE (DIGIT 15 & 16)
 PLATING CODE (DIGIT 13 AND 14) (REF DWG No. BS,C ,201844.003)

NOTES:

- THIS PRODUCT IS CSA APPROVED.
- THIS PRODUCT IS UL RECOGNIZED.
- MEASURED AT THE BOTTOM.
- MATERIAL CONTACT: PHOSPHORBRONZE
HOUSING: CREAM WHITE GLASSILLED POLYESTER UL-94V0
- CONNECTOR PRINTED WITH P/N AND DATE CODE.
- FOR ACTUAL CONTACT LOADINGS, SEE LOADING PATTERN MATING SIDE.
- SHAPE OF CONNECTOR HOUSING CAN ALTER DEPENDING ON PRODUCTION LOCATION.
- THE PRODUCT (LF) MEETS EUROPEAN UNION DIRECTIVES AND OTHER COUNTRY REGULATIONS AS DESCRIBED IN GS-22-008
- FOR RECOMMENDED PTH DIMENSIONS REFER DRAWING : BS.A ,201572.001

1DEC ±0,2 2DEC ±0,1 ANGLES ±1°	APPR. DRAFT CHECKED	DATE 2002-06-10	SIGN. M.Fret	MPACS 5+2R STR HDR CONN TYPE A
WE RESERVE THE RIGHT TO CHANGE DIMENSIONS OR REQUIREMENTS WITHOUT PRIOR NOTICE.	PROD. MGR. PR. ENG. MGR. PR. MGT. MGR.			CAT. No. HM2P07PDT231----
ALL DIMENSIONS IN MM				FC www.fciconnect.com SCALE

REFERENCES

BS,C , 202788,225	C
DRAWING No.	CUSTOMER DRAWING REVISION

THIS IS OUR EXCLUSIVE PROPERTY. IT IS NOT TO BE COPIED, REPRINTED OR DISCLOSED TO A THIRD PARTY, NOR USED FOR MANUFACTURING WITHOUT OUR WRITTEN CONSENT. AND HAS TO BE RETURNED TO US IN CASE OF NO USAGE

DIT IS ONZE EIGENDOM EN MAG NIET NAGEHAANK, HERDRUKT, OVERGEHAANK AAN DEREN, NOCH VOOR FABRIKATIE GEBRUIKT WORDEN, ZONDER ONZE SCHRIFTELIJKE TOELATING. BIJ NIET GEBRUIK IS TERUGGEGANG VERPLICHT.